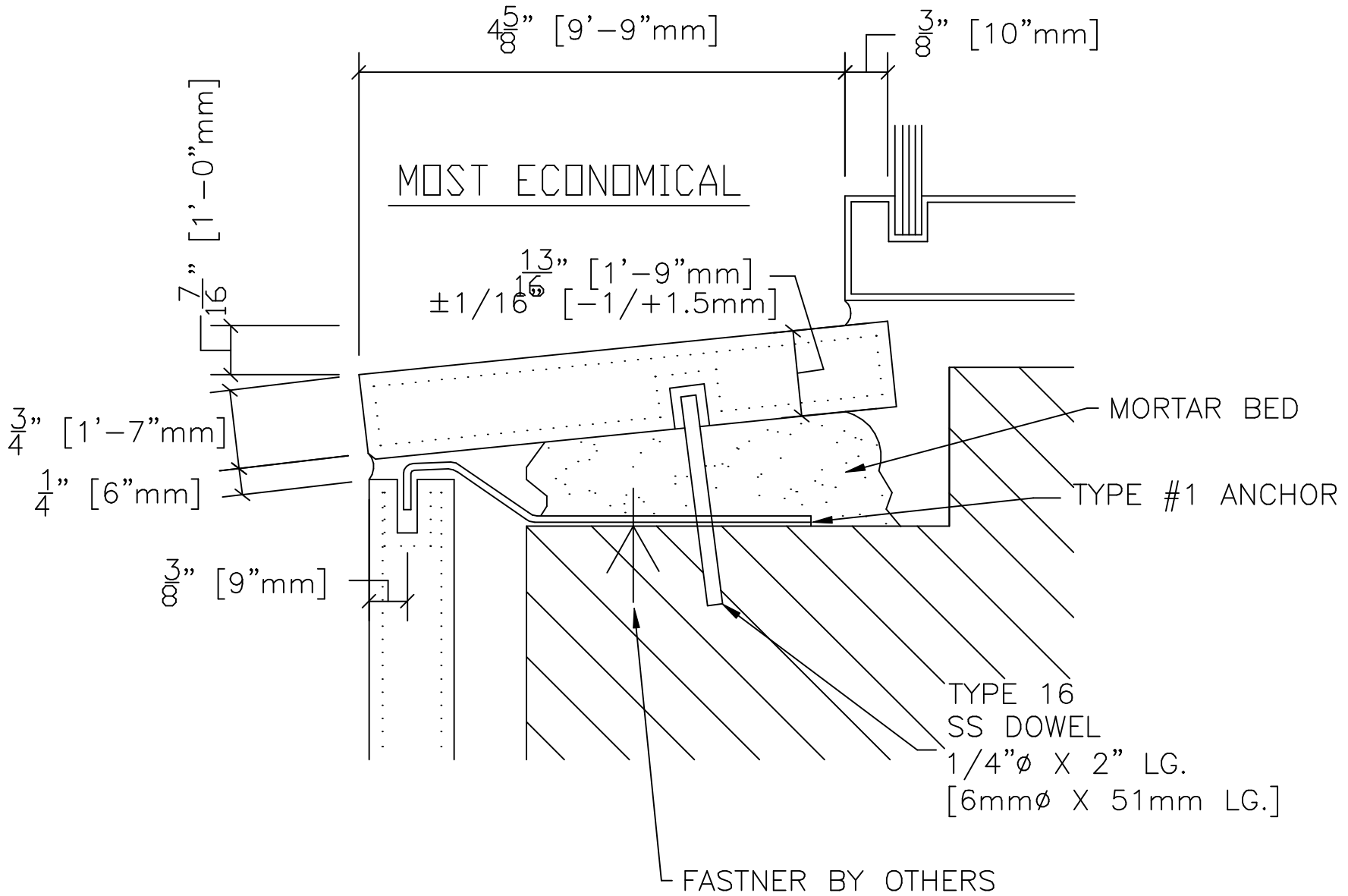
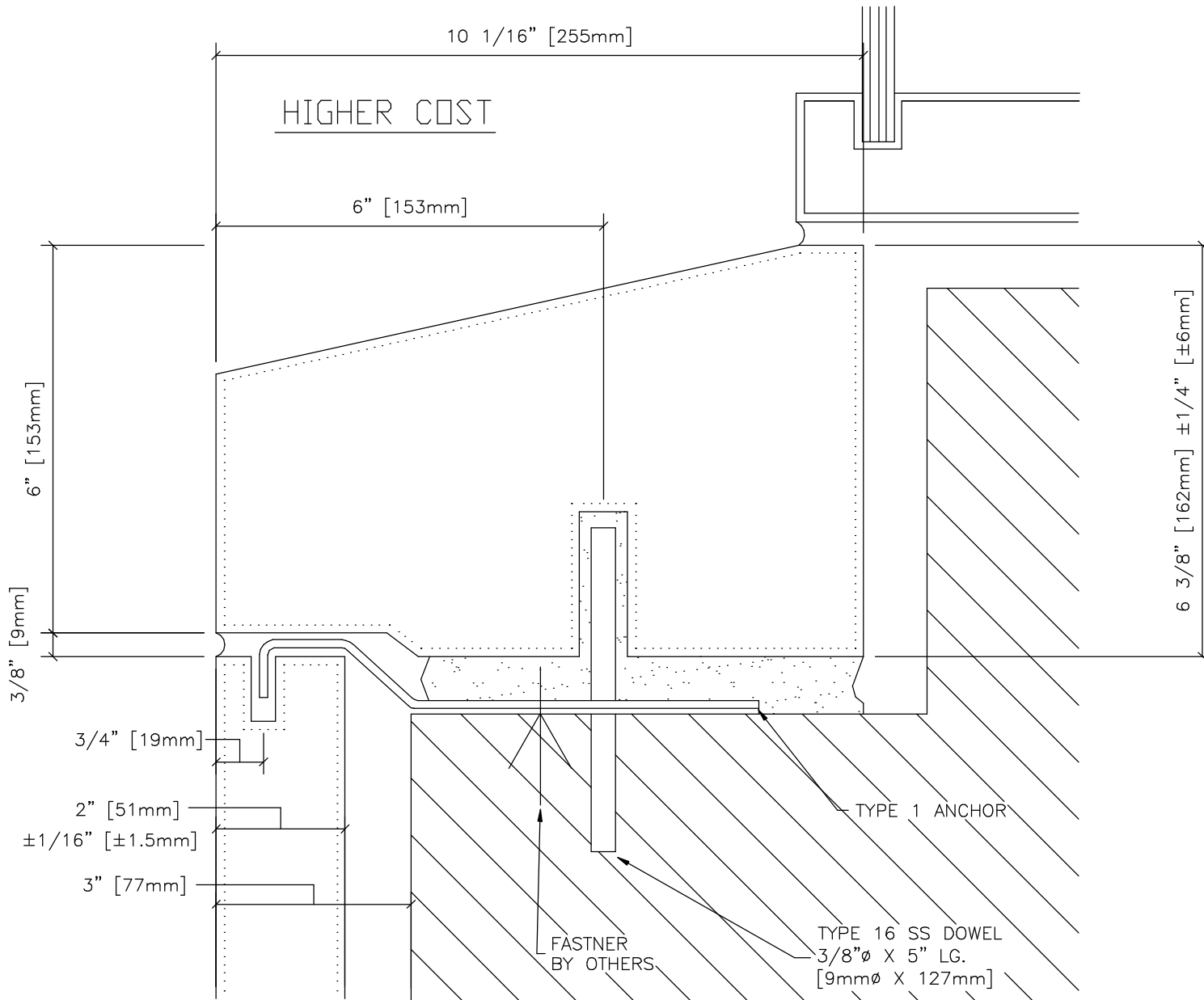


CSG015



13/16" $\pm 1/16$ " GRANITE SILL
(CLADDING THICKNESS STONE)



6 3/8" ±1/4" GRANITE SILL
(SPECIALLY CUT STONE PROFILE)